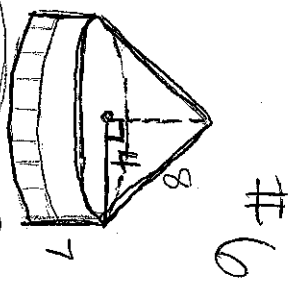
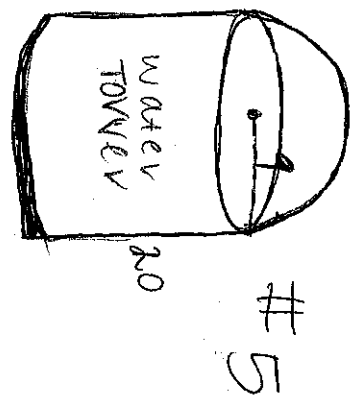
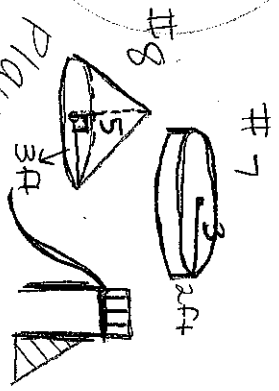
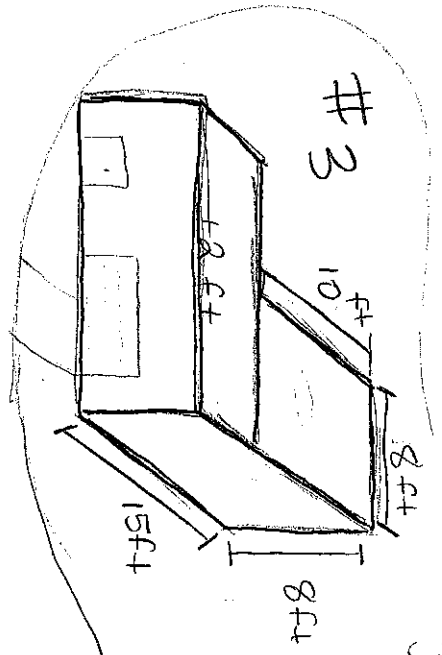
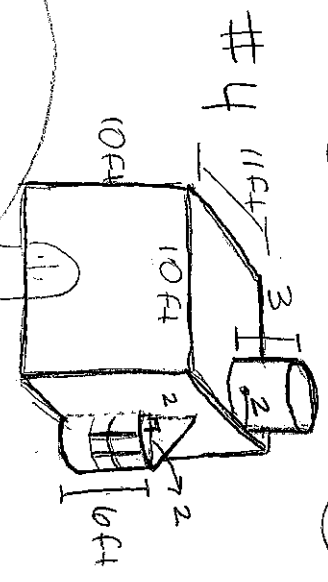
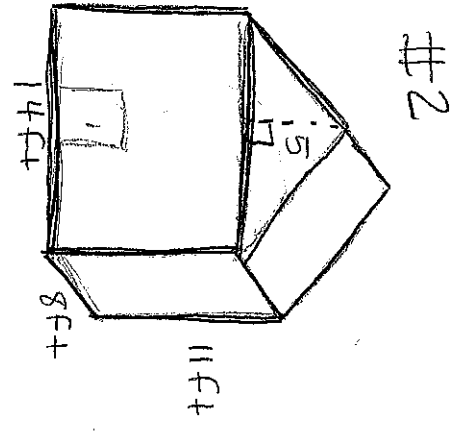
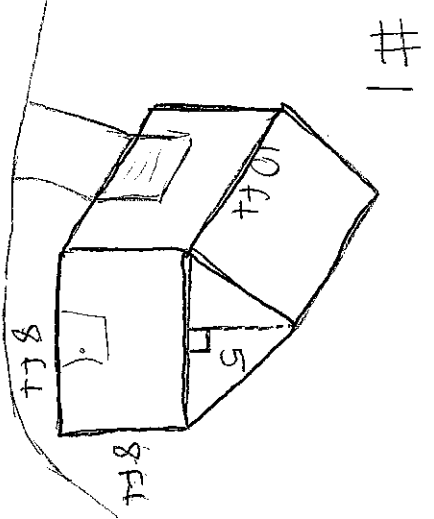


Find the volume of the subdivision



Entry